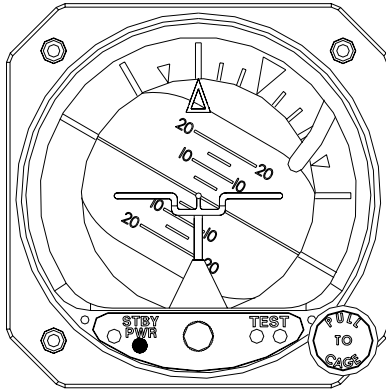




ELECTRIC ATTITUDE INDICATOR 4300 SERIES

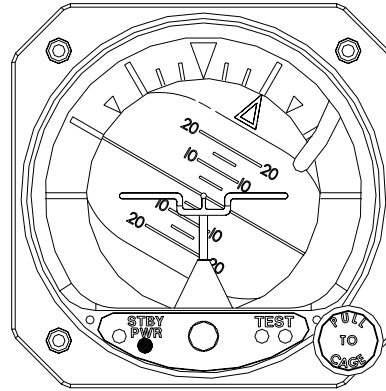
CONFIGURATIONS – 400 & 300 SERIES

Face Layout A



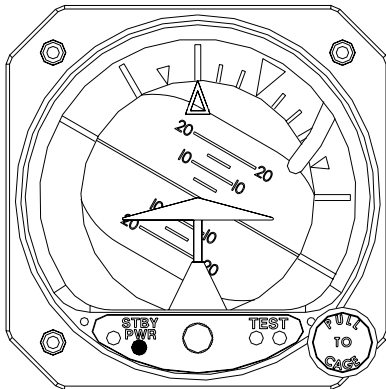
Rotating Roll Dial
Fixed Pointer
Traditional Symbolic Airplane
Standard Horizon Dial

Face Layout B



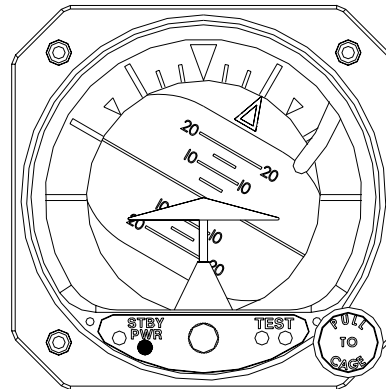
Fixed Roll Dial
Rotating Pointer
Traditional Symbolic Airplane
Standard Horizon Dial

Face Layout C



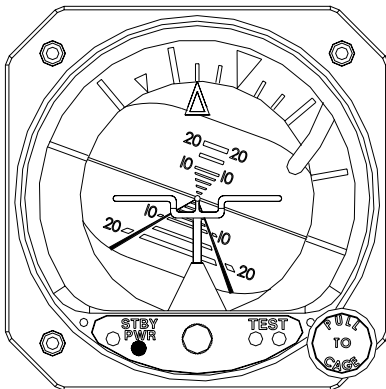
Rotating Roll Dial
Fixed Pointer
Delta Symbolic Airplane
Standard Horizon Dial

Face Layout D



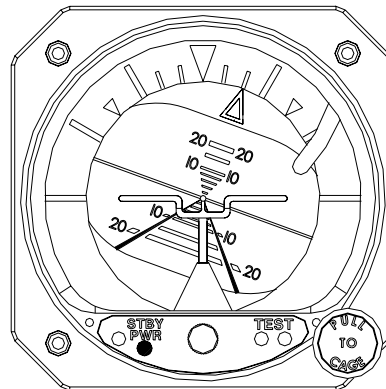
Fixed Roll Dial
Rotating Pointer
Delta Symbolic Airplane
Standard Horizon Dial

Face Layout E



Rotating Roll Dial
Fixed Pointer
High Resolution Horizon Dial
Traditional Symbolic Airplane

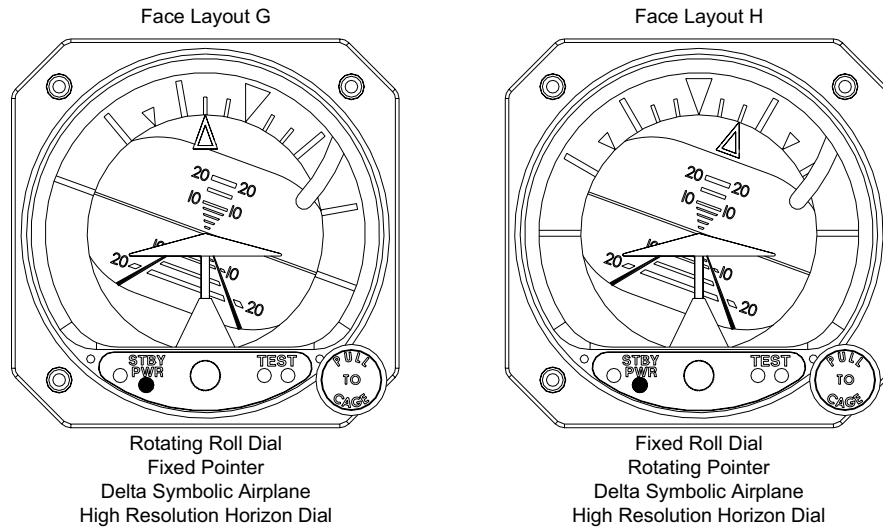
Face Layout F



Fixed Roll Dial
Rotating Pointer
High Resolution Horizon Dial
Traditional Symbolic Airplane

Figure 1.1
Display Configurations
400 Series – 4300 Indicator

400 Series 4300 Electric Attitude Indicator



Model Number	Input Voltage	Roll Dial	Horizon Dial	Symbolic Airplane	Face Layout
4300-401	27.5 VDC	Rotating	Standard	Traditional	A
4300-402	27.5 VDC	Fixed	Standard	Traditional	B
4300-403	27.5 VDC	Rotating	Standard	Delta	C
4300-404	27.5 VDC	Fixed	Standard	Delta	D
4300-411	10 to 32 VDC	Rotating	Standard	Traditional	A
4300-412	10 to 32 VDC	Fixed	Standard	Traditional	B
4300-413	10 to 32 VDC	Rotating	Standard	Delta	C
4300-414	10 to 32 VDC	Fixed	Standard	Delta	D
4300-431	10 to 32 VDC	Rotating	High Resolution	Traditional	E
4300-432	10 to 32 VDC	Fixed	High Resolution	Traditional	F
4300-433	10 to 32 VDC	Rotating	High Resolution	Delta	G
4300-434	10 to 32 VDC	Fixed	High Resolution	Delta	H

**Figure 1.1, Cont.
Display Configurations**

300 Series 4300 Electric Attitude Indicator

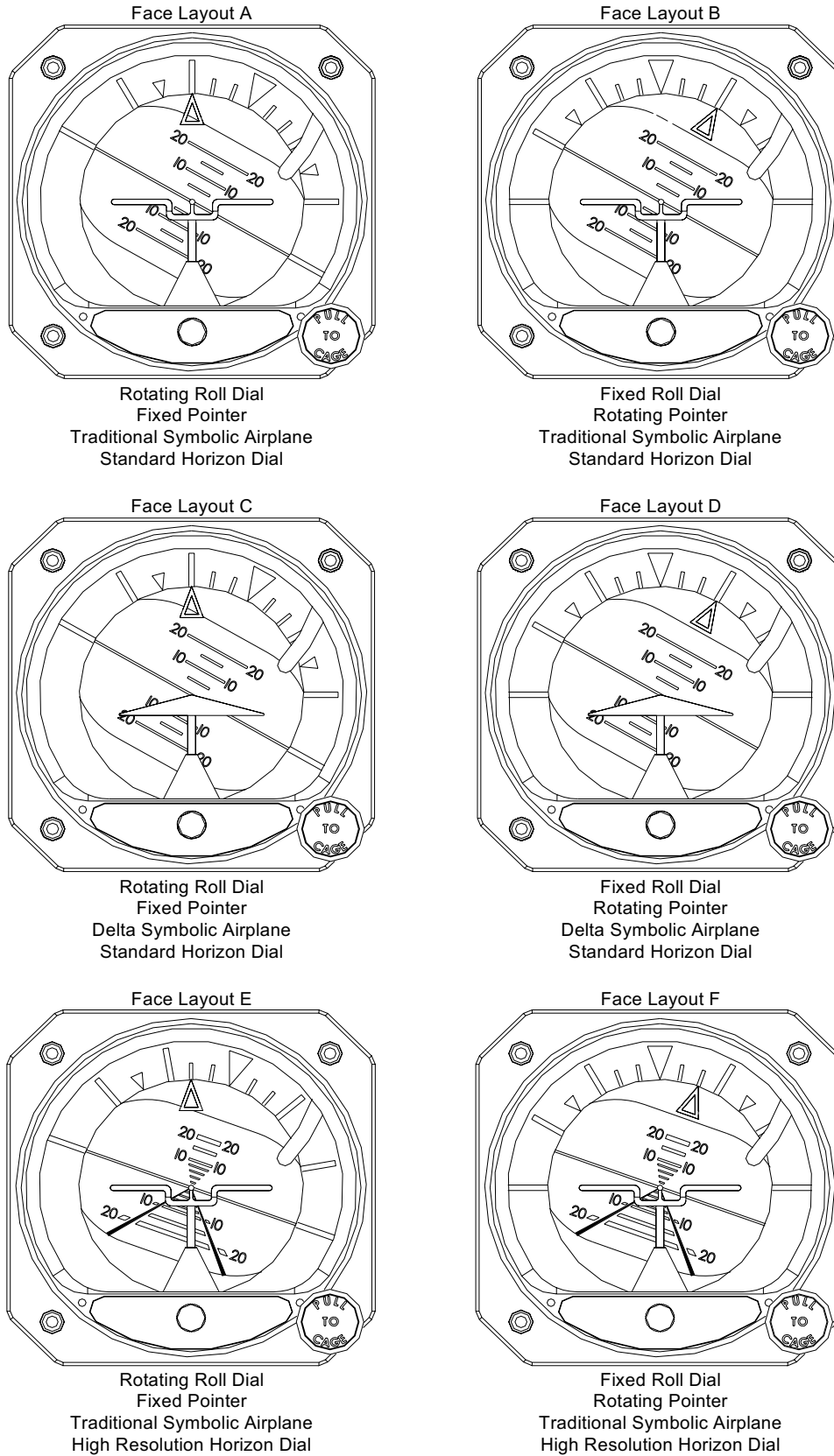
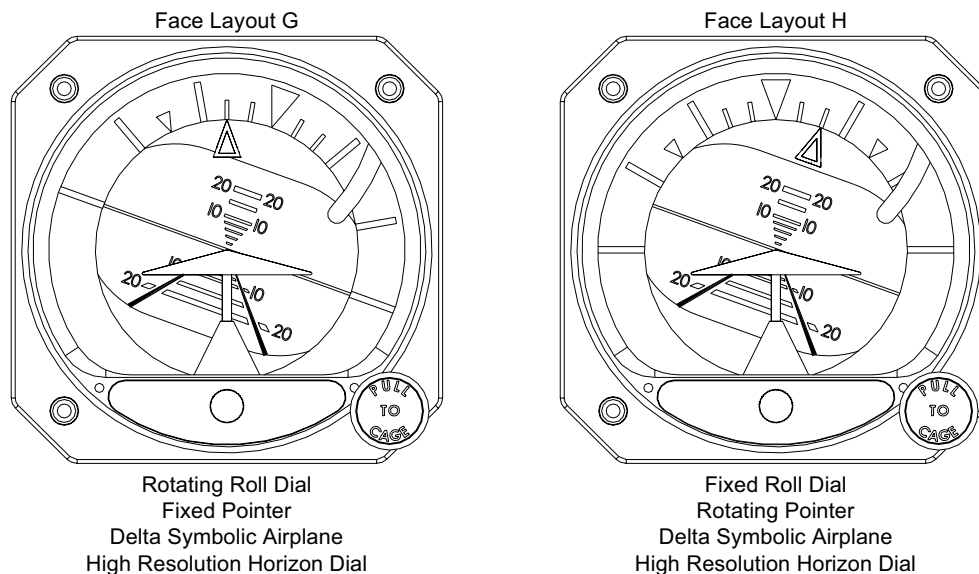


Figure 1.1
Display Configurations

300 Series 4300 Electric Attitude Indicator



Model Number	Input Voltage	Roll Dial	Horizon Dial	Symbolic Airplane	Face Layout
4300-301	27.5 VDC	Rotating	Standard	Traditional	A
4300-302	27.5 VDC	Fixed	Standard	Traditional	B
4300-303	27.5 VDC	Rotating	Standard	Delta	C
4300-304	27.5 VDC	Fixed	Standard	Delta	D
4300-311	10 to 32 VDC	Rotating	Standard	Traditional	A
4300-312	10 to 32 VDC	Fixed	Standard	Traditional	B
4300-313	10 to 32 VDC	Rotating	Standard	Delta	C
4300-314	10 to 32 VDC	Fixed	Standard	Delta	D
4300-331	10 to 32 VDC	Rotating	High Resolution	Traditional	E
4300-332	10 to 32 VDC	Fixed	High Resolution	Traditional	F
4300-333	10 to 32 VDC	Rotating	High Resolution	Delta	G
4300-334	10 to 32 VDC	Fixed	High Resolution	Delta	H

**Figure 1.1, Cont.
Display Configurations**